



PoE World

World Class PoE Injectors, Splitters,  
Switches, Extenders

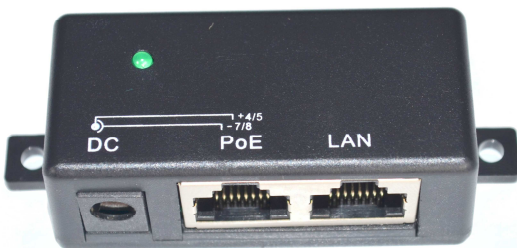
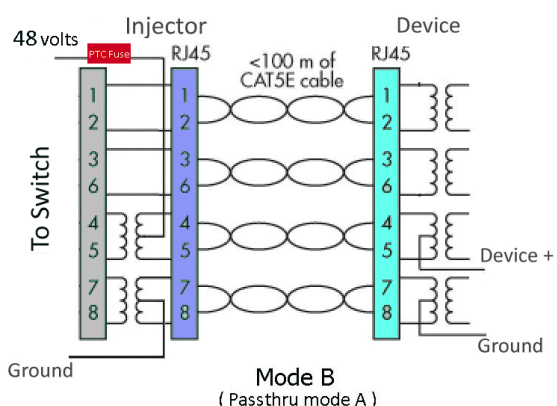
Our Locations and Partners:

PoE-Texas Austin Texas  
PoE-UK London England

PoE-India Pune India  
PoE-World Shenzhen China  
<http://poe-world.com>

## GPOE-1-WM Injector / Splitter for any PoE device

10/100/1000 gigabit Ethernet, use as PoE injector or PoE Splitter.  
External power supply, not included, from 12v to 56v, up to 30 watts.

- 1 Port 10/100/1000 Ethernet
  - Injector or Splitter
  - 1 Shielded RJ-45 LAN
  - 1 Shielded RJ-45 LAN+POE
- Size: 3 x 1.3 x .8 inches (76 mm x 29mm x 22mm)
- Wall mount
- Use with any Ethernet switch
  - PoE or non-PoE switches
- Standard power connector
  - 2.1mm x 5.5mm
- Operating Temperature
  - 0 to 65 deg C
- Mode B operation
  - pins 4-5 (+)
  - pins 7-8 (-)
  - reversing option - contact us
- Ideal for IP Cameras, VOIP phone, WiFi Access Points
- Select the power supply you need 12 to 56 volts
- Power is always on
  - no auto-negotiation
  - powers 802.3af / 802.3at devices "passively"
- 650 ma self resetting fuse

Please see also our 4, 6 and 12 port Gigabit injectors, our 10/100 injectors, switches and PoE Tester

Device Spec	Mode B - DC Input RJ45 pins 45+ 78-	Note
802.3af or "12v, PoE"	48 volts or none	for up to 25 watts per port
Passive 24v	24 volts	Mikrotik, UBNT, OpenMesh, Tranzeo