

承认书

SPECIFICATION FOR APPROVAL

Power Adapter/电源适配器

客 户:

CUSTOMER: _____

产品描述:

DESCRIPTION: Input:90~264V AC 50/60Hz Output:48VDC 2.5A

机种型号:

OUR MODEL NO: _____ WTA120-4800250-T

样品编号:

日期:

SAMPLE NO: wt-0001

DATE: 2022.06.23

产品颜色:

SAMPLE COLOR:Black



White



APPROVAL SIGNATURE/客户确认

核准/APPROVED BY	审核/CHECKED BY	检测/TESTED BY

Manufacturer/制造商

业务/SALES	核准/APPROVED BY	设计/DESIGNED BY
	陈小齐	许伊婷

型号/Our model: WTA120-4800250-T

客户/Customer:

日期/Date: 2022.06.23

样品编号/SAMPLE No: wt-0001

版本目录/Rev. List

版本/Rev.	日期/Date	描述/Description	制订/Design
A0	2022.06.23		Xu Yiting

Table of contents

1、描述/DESCRIPTION.....3

2、输入特性/INPUT CHARACTERISTICS.....3

3、输出特性/OUTPUT CHARACTERISTICS.....4-5

4、保护功能/PROTECTION FUNCTION.....5

5、环境要求/ENVIRONMENTAL REQUIREMET.....5~6

6、安全及 EMI 要求/SAFETY AND EMC REQUIREMENT..... 6

7、结构参数/MECHANICAL REQUIREMENT.....7

8、线材/CORD.....8

9、铭牌附图/LABEL.....9

10、包装说明/PACKING.....10

11、测试报告/ELECTRICAL TEST REPORT..... .11

型号/Our model: WTA120-4800250-T

客户/Customer:

日期/Date: 2022.06.23

样品编号/SAMPLE No: wt-0001

1、描述/ DESCRIPTION:

本规格书适应于 WTA120-4800250-T 型号的开关电源.

The purpose of the document is to specify the functional requirements of a 120W switching power supply.

2、输入特性/INPUT CHARACTERISTICS:

2.1 输入电压/Input Voltage:

额定电压/Rated Voltage:100~240Vac

调整范围/Variation Range:90-264Vac

2.2 输入频率/Input Frequency:

额定频率/ Rated Frequency: 50/60Hz.

调整频率/Variation Frequency:47-63Hz

2.3 输入电流/Input Current:

当输入交流电压为额定值的下限电压负载满载时,最大输入交流电流 2.0A.

2.0Amps max At any input voltage and rated, DC output rated load.

2.4 浪涌电流/Inrush Current:

当输出为额定负载,环境温度为 25℃,输入 240Vac 冷态起机时的最大浪涌电流小于 50A.

50 Amps Max. Cold start at 240Vac input, with rated load and 25℃ ambient.

2.5 AC 漏电流/Ac Leakage Current:

当输入电压 240Vac 时,最大漏电流为 0.25mA.

0.25mA Max. At 240Vac input.

2.6 功率因数/ Power Factor

当输入电压 100-240Vac 时,功率因数大于 0.9. $PF \geq 0.9$, At 240Vac input.

型号/Our model: WTA120-4800250-T

客户/Customer:

日期/Date: 2022.06.23

样品编号/SAMPLE No: wt-0001

3、输出特性/OUTPUT CHARACTERISTICS:

3.1 输出功率/Power output

电压 Voltage	最小负载 Min. Load	额定负载 Rated. Load	待机功耗 Standby powe	输出功率 Output power
48Vdc	0.0A	2.5A	0.3W Max	120W

3.2 负载特性,调整率/Combined Load/Line Regulation

电压 Voltage	最小负载 Min. Load	额定负载 Rated. Load	线性调整 Line Regulation	负载调整 Load Regulation
48Vdc	0.0A	2.5A	±5%	±5%

3.3 纹波和噪音 Ripple and Noise:

测试条件:在额定电压及额定负载条件下,使用示波器带宽为 20MHz 连接到充电器的输出端,同时输出端并联一个 47uF 的电解电容和一个 0.1uF 的瓷片电容.

Under nominal voltage and nominal load,the ripple and noise are as follows when measure with Max.Bandwidth of 20MHz and Parallel 47uF/0.1uF,crossed connected at testing point.

电压 最大纹波/最大噪音

Voltage Ripple and Noise(Max.)

+48Vdc 480mV p-p

3.4 启动延迟时间/Turn on delay time:

当输入 220Vac 和输出最大负载时,最大启动时间为 3S.

3Second Max.at 220Vac input and output Max.load.

3.5 上升时间/Rise time:

当输入 115Vac 和输出最大负载时最大时间为 40 mS.

40 mS Max.at 115Vac input and output Max load.

3.6 保持时间/Hold up time:

当输入 115Vac 和输出最大负载时,最小保持时间为 5 mS .

5 mS Min.at 115Vac input and output Max.Load.

3.7 效率/Efficiency:

当 115/230Vac 输入电压时, 1/10、1/4、1/2、3/4 和满载计算平均效率, 最小 88%。

88% Min, At 115/230Vac input voltage,1/10、1/4、1/2、3/4 and full load calculation average efficiency.

型号/Our model: WTA120-4800250-T

客户/Customer:

日期/Date: 2022.06.23

样品编号/SAMPLE No: wt-0001

4、保护功能/PROTECTION FUNCTION:

4.1 短路测试/Short circuit test:

该电源供给器在短路解除时能正常工作恢复.

The power supply will be auto recovered when short circuit faults remove.

4.2 过流保护/Over current Protection:

过流故障排除后,电源将自动恢复正常工作.

The power supply will be auto recovered when over current faults remove.

4.3 过压保护/Over Voltage Protection:

当输出电压超过额定电压的 120%~170%时,电源将保护,故障排除后能恢复正常工作.

The power supply will auto recovered when faults remove 120%~170%.

5、环境要求/ENVIRONMENTAL REQUIREMET:

5.1 工作温度/Operating Temperature:

0°C-40°C,满载,正常工作.

0°C to 40°C,Full load, Normal operation.

5.2 储藏温度/Storage Temperature:-20°C to 80°C

带外壳/With package

5.3 工作湿度/Relative Humidity:

5%(0°C)~90%(40°C),72 小时,满载,正常工作.

5%(0°C)~90%(40°C)RH,72Hrs,Full load, Normal operating.

5.4 振动/Vibration:

1. 测试标准:国际电工电子委员会

Operating: IEC 721-3-3 3M3

5~9Hz,A=1.5mm

加速度(9~200Hz,Acceleration 5m/S²)

2. 运输/Transportation:

IEC 721-3-2 2M2

5-9Hz,A=3.5mm

9~200Hz,加速度 Acceleration=5m/S²

200~500Hz,加速度 Acceleration=15m/S²

型号/Our model: WTA120-4800250-T

客户/Customer: 樟青电子

日期/Date: 2022.06.23

样品编号/SAMPLE No: wt-0001

3. 轴向振动/Axes,10 cycles per axis.

在测试过程中不能出现永久性的损坏.

No permanent damage may occur during testing.

在电源开启和关闭后,样机能够恢复到最初条件.

The SAMPLE has to restore to its original situation after power off/on..

5.5 跌落试验/Dropping Packed:

插墙式跌落高度为 1 米、桌面式跌落高度为 760mm;

1M for wallmount type and 760mm for desktop type as above described.

测试台面是厚 13mm 的夹木板, 离地面高 19-20mm

The horizontal surface consists of hardwood at least 13mm thick, mounted on two layers of plywood each 19mm to 20mm thick,all supported on a concrete or equivalent non-resilient floor.

6、安全要求/SAFETY REQUIREMENT:

6.1 安全:符合标准 CE、FCC、UL、GS、SAA.

Safety: accord with CE、FCC、UL、GS、SAA.

6.2 高压/DIELECTRIC STRENGTH Hi-Pot:

初级对次级/Primary to secondary:3000Vac10mA/3S for type test.

6.3 绝缘抗阻/ Insulation resistance:

初级对次级/Primary to secondary:10MΩ min at 500V DC.

型号/Our model: WTA120-4800250-T

客户/Customer:

日期/Date: 2022.06.23

样品编号/SAMPLE No: wt-0001

7、 结构参数/MECHANICAL REQUIREMENT:

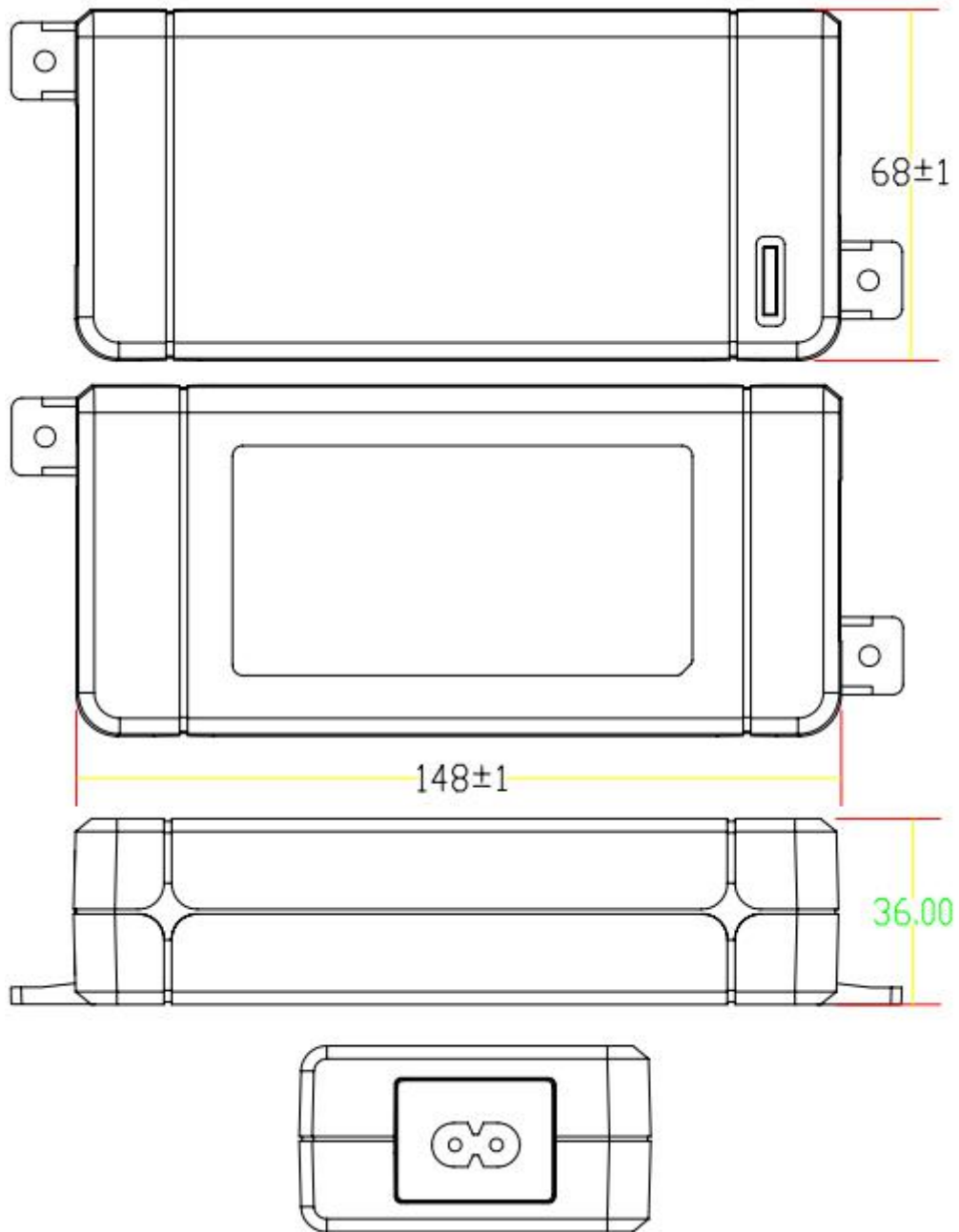
7.1 外壳/Enclosure:

外壳尺寸: L148 x W68 x H36mm;

The power supply size: L148 x W68 x H36mm;

7.2 输入线/Input Connector:

IEC-320-C8



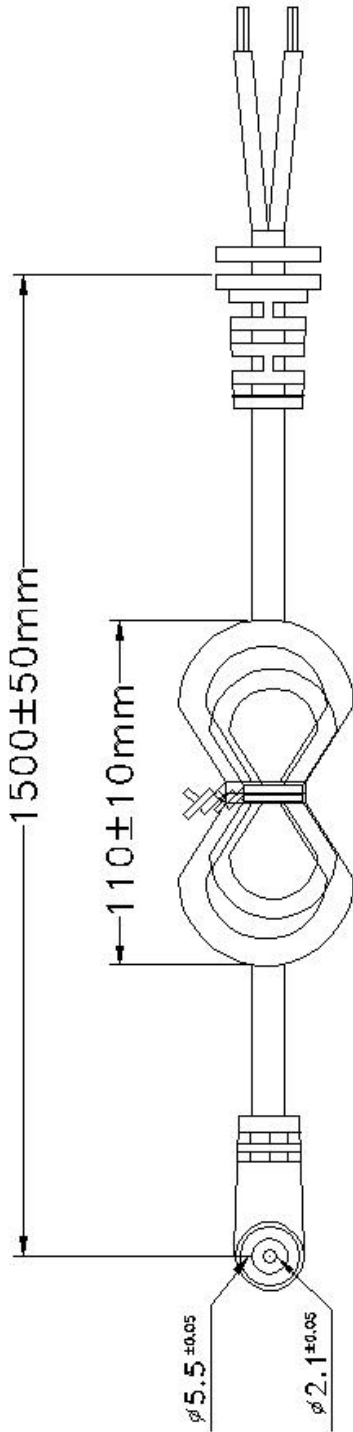
型号/Our model: WTA120-4800250-T

客户/Customer:

日期/Date: 2022.06.23

样品编号/SAMPLE No: wt-0001

8、CORD/线材 DC 线



线材规格:UL2464 18AWG DC 头:5.5*2.1*10

电镀平口镀镍黑胶 L=1.5M

厂商A:宏亚

印字内容:E346933 兄 AWM 2464 18AWG VW-1 80°C

300V HONGYA C 兄 AWM I/II A 80°C 300V FT1 -LF-

厂商B:伟泰兴

印字内容:兄AWM 2464 VW-1 80°C 300V E481928 C 兄 AWM

18AWG I/II A/B 80°C 300V FT1 WTX

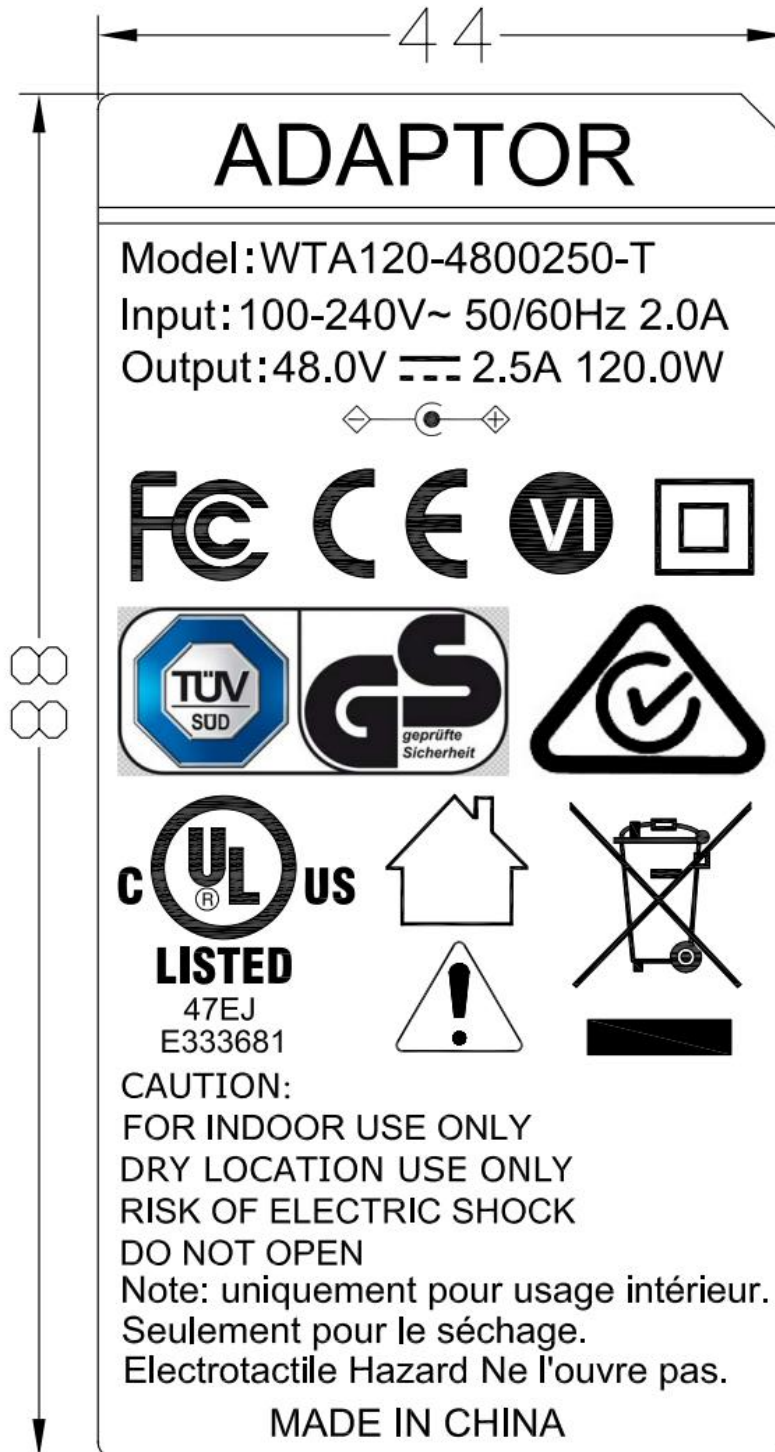
型号/Our model: WTA120-4800250-T

客户/Customer:

日期/Date: 2022.06.23

样品编号/SAMPLE No: wt-0001

9、铭牌/LABEL:



备注：镭雕

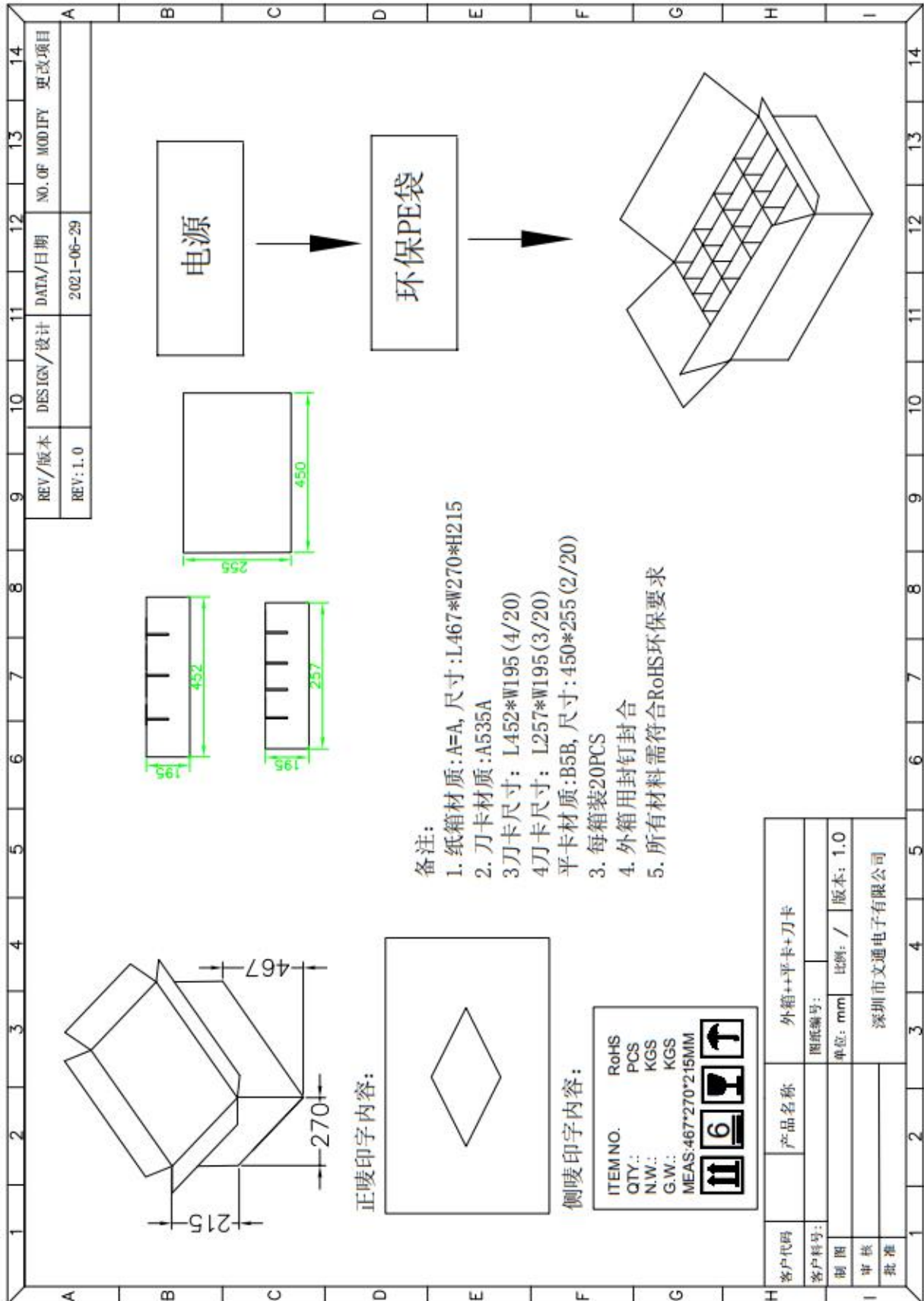
型号/Our model: WTA120-4800250-T

客户/Customer:

日期/Date: 2022.06.23

样品编号/SAMPLE No: wt-0001

10、包装说明/PACKING:



型号/Our model: WTA120-4800250-T

客户/Customer:

日期/Date: 2022.06.23

样品编号/SAMPLE No: wt-0001

11、 测试报告/ELECTRICAL TEST REPORT:

No 序号	Test item 测试项目	Test condition 测试条件	Standard spec 标准规格	Test data 测试数据				Unit 单位	Judge 判定
				1	2	3	4		Pass/ Fail
1	Output Voltage 输出电压	Vin100Vac 60Hz Io=0 输入 100Vac 空载	±5%	48.24				V	Pass
2	Output Voltage 输出电压	Vin100Vac 60Hz I=Rated Current 输入 100Vac 60Hz 额定电流	±5%	47.95				V	Pass
3	Average Efficiency 平均效率	Vin 115Vac 60Hz 输入 115Vac 60Hz	88%	89.00				%	Pass
4	Ripple&Noise mVp-p 纹波&杂讯	Vin100Vac 60Hz Full load 输入 100Vac 60Hz 满载	≤480mVp-p	95.00				mVp-p	Pass
5	Line Regulation 线性调整率	Vin=100V~240V I=Rated Current 额定电流	±5%	0.0%				/	Pass
6	Standby Power 待机功耗	Vin 115Vac 60Hz I=0 输入 115Vac 60Hz	0.3W max	0.25				W	Pass
7	Short circuit test 短路测试	Vin100Vac 60Hz 输入 100Vac 空载	No odor smoke fire plastic deformation and excessive heat happen. 无冒烟,起火,外壳变 形及过热现象	OK				/	Pass
8	OCP 过电流保护	Vin100Vac 60Hz 输入 100Vac		4.00				A	
9	Output Voltage 输出电压	Vin240Vac 50Hz I=0 输入 240Vac 空载	±5%	48.27				V	Pass
10	Output Voltage 输出电压	Vin240Vac 50Hz I=Rated Current 输入 240Vac 60Hz 额定电流	±5%	47.96				V	Pass
11	Average Efficiency 平均效率	Vin230Vac 50Hz 输入 230Vac 50Hz	88%	90.00				%	Pass
12	Ripple & Noise mVp-p 纹波&杂讯	Vin240Vac 50Hz Full load 输入 240Vac 50Hz 额定电流	≤480mVp-p	100				mVp-p	Pass
13	Line Regulation 线性调整率	Vin=100V~240V I=Rated Current 输入 100V~240V	±5%	0.0%				/	Pass
14	Standby Power 待机功耗	Vin230Vac 50Hz I=0 输入 230V 50Hz	0.3W max	0.30					Pass
15	Short circuit test 短路测试	Vin240Vac 50Hz 输入 240Vac 50Hz	No odor smoke fire plastic deformation and excessive heat happen. 无冒烟,起火,外壳变 形及过热现象	OK					Pass
16	OCP 过电流保护	Vin230Vac 50Hz 输入 230Vac 50Hz		4.00				A	
17	Hi-pot test 高压测试	高压/DIELECTRIC STRENGTH Hi-Pot: 初级对次级 /Primary to secondary:3000Vac/10mA/3S for type test		OK					Pass
18	Burn in 老化	Input:220Vac/50Hz Full Load 4hrs 输入 220Vac/50Hz 满载 4 小时		OK					Pass
19	Drop test 跌落	Heigh:1m Six*faces(onceon each plane) 高 1 米,6 个面,每面 1 次.		OK					Pass
REMARK 备注									