
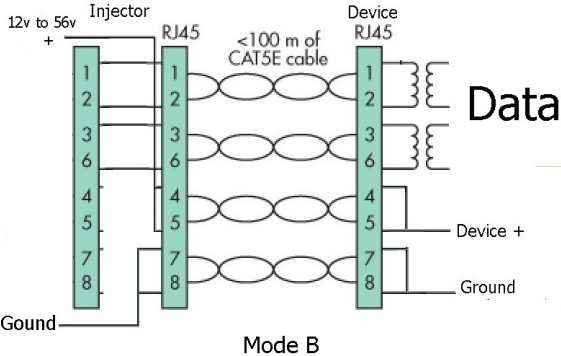




POE-1-WM Injector / Splitter for any PoE device

10/100 fast Ethernet, use as PoE injector or PoE Splitter. External power supply, not included, from 12v to 56v, up to 30 watts.

- 1 Port 10/100 Ethernet
 - Injector or Splitter
 - 1 Shielded RJ-45 LAN
 - 1 Shielded RJ-45 LAN+POE
- Size: 3 x 1.3 x .8 inches (76 mm x 29mm x 22mm)
- Wall mount
- Use with any Ethernet switch
 - PoE or non-PoE switches
- Standard power connector
 - 2.1mm x 5.5mm
- Operating Temperature
 - 0 to 65 deg C
- Mode B operation
 - pins 4-5 (+)
 - pins 7-8 (-)
 - reversing option – contact us
- Ideal for IP Cameras, VOIP phone, WiFi Access Points
- Select the power supply you need 12 to 56 volts
- Power is always on
 - no auto-negotiation
 - powers 802.3af / 802.3at devices "passively"

Please see also our 4, 6 and 12 port gigabit injectors, our 10/100 injectors, switches and PoE Tester

Device Spec	Mode B - DC Input RJ45 pins 45+ 78-	Note
802.3at	56 Volts	for up to 30 watts per port
802.3af or "12v, PoE"	48 volts or none	for up to 25 watts per port
Passive 24v	24 volts	Mikrotik, UBNT, OpenMesh, Tranzeo

URL: <https://shopify.poe-world.com> Technical Support: poe-world.com